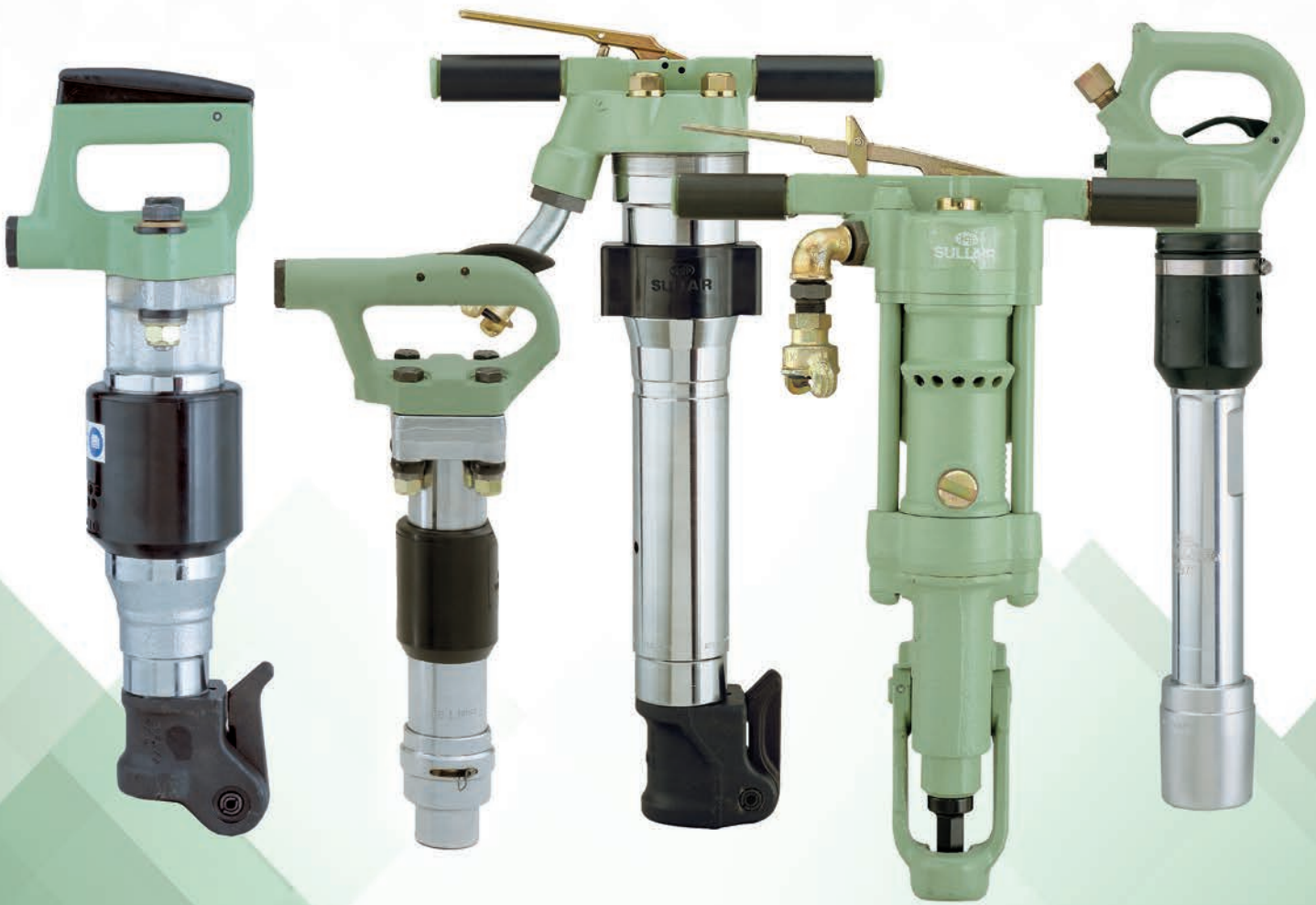
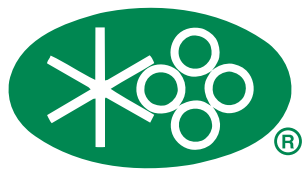


# Sullair Air Tools



 **SULLAIR**<sup>®</sup>  
*Always air. Always there.*<sup>®</sup>



# SULLAIR®

*Always air. Always there.®*

## The Right Tool for Your Tough Job

Applications	Tool	Sullair Model	Class	Weight	cfm
<ul style="list-style-type: none"> <li>Horizontal and overhead applications</li> <li>Industrial applications</li> </ul>	<b>Chipping Hammer</b>	<b>MCH-2/3/4</b> <b>MCH-3S/4S</b>	15#	16-19 lbs	26-33
<ul style="list-style-type: none"> <li>Cutting and driving large rivets</li> <li>Heavy duty demolition work</li> </ul>	<b>Rivet Buster</b>	<b>MRB-8/11</b>	30#	30-33 lbs	44-50
<ul style="list-style-type: none"> <li>Breaking light concrete and other light jobs</li> </ul>	<b>Light Pavement Breaker</b>	<b>MPB-30A</b>	30#	35.5 lbs	37
<ul style="list-style-type: none"> <li>Concrete bridge decks and general demo work</li> </ul>	<b>Light Pavement Breaker</b>	<b>MPB-35A</b>	40#	39 lbs	49
<ul style="list-style-type: none"> <li>Concrete road breaking and other general demo work</li> </ul>	<b>Medium Pavement Breaker</b>	<b>MPB-60A</b> <b>MPB-60AS</b>	60#	69.5 lbs	48
<ul style="list-style-type: none"> <li>Heavy demo work breaking tough, reinforced concrete</li> </ul>	<b>Heavy Pavement Breaker</b>	<b>MPB-90A</b> <b>MPB-90AS</b>	90#	92 lbs	62
<ul style="list-style-type: none"> <li>Excavation of clay and hardpan</li> <li>Light horizontal demolition work</li> </ul>	<b>Light Demolition Tool</b>	<b>MDT-22</b>	20#	24.7 lbs	33.4
<ul style="list-style-type: none"> <li>Medium demolition work</li> </ul>	<b>Medium Demolition Tool</b>	<b>MDT-30</b>	30#	33 lbs	37
<ul style="list-style-type: none"> <li>Compacting backfill in ditches, trenches, foundations and around poles</li> </ul>	<b>Backfill Tamper</b>	<b>MBT-6</b>	35#	40.5 lbs	32
<ul style="list-style-type: none"> <li>Setting anchors</li> <li>Drilling holes in concrete and bricks</li> </ul>	<b>Hammer Drill</b>	<b>MRD-9</b>	9#	9 lbs	21
<ul style="list-style-type: none"> <li>Setting anchors</li> <li>Drilling holes in concrete and bricks</li> </ul>	<b>Light Rock Drill</b>	<b>MRD-30</b>	30#	34 lbs	53
<ul style="list-style-type: none"> <li>Drill for depths up to 6 feet and 1-1/2" diameter</li> </ul>	<b>Light Rock Drill</b>	<b>MRD-40</b>	40#	45.5 lbs	80
<ul style="list-style-type: none"> <li>Drill for depths up to 10 feet and 1-3/4" diameter</li> </ul>	<b>Medium Rock Drill</b>	<b>MRD-50</b>	50#	48.5 lbs	123

# Pavement Breakers Designed to Work Better and Last Longer

## Sullair Pavement Breakers are Designed for Work Efficiency and a Long, Trouble-Free Life

### High-Wear Parts Reduced

Sullair breakers have eliminated most high-wear parts. Fewer parts mean less wear, less maintenance, and less downtime.

### No Multi-Part Tappet System

Unlike conventional breakers, Sullair breakers have no multi-part tappet system. With no tappet system, which requires three independent impacts, noise is reduced.

### One-Piece, Non-Protrusive Housing

A leak-proof air cushion forms at the end of the piston stroke and stops the piston from direct impact when the tool is not breaking. The elimination of side rods, nuts and springs makes Sullair breakers sleeker and more comfortable to operate.

### Minimal Lubrication Required

With only two parts moving during operation, normal oil carryover from the compressor, combined with moisture in the air, will usually provide sufficient lubrication under normal operating conditions. Manual lubrication before storage is sufficient.

### Parts Interchangeability

Standardization of design permits a high degree of interchangeability of parts between Sullair models.

### Quieter

The piston, impacting directly on the steel shank rather than a tappet, reduces noise level of the breaker.

### Super-Silenced, Anti-Freeze Models

A unique silencer reduces noise levels by 6 dBA, while preventing the tool from freezing, even in the coldest climates.

### Smoother Operation

Reduced kickback is less fatiguing to the operator.

### Simple Latch Design

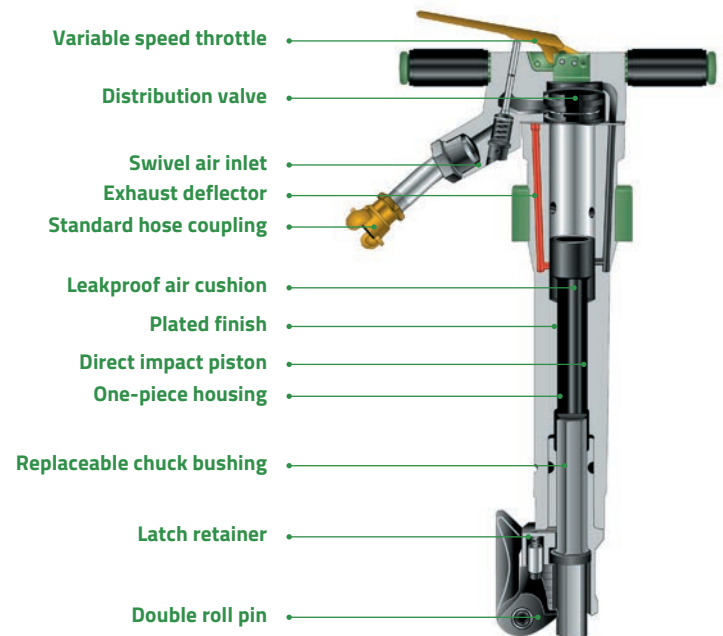
Durable double roll pin permits easy steel changing.

### Less Air Consumption

The direct impact piston design, non-corrosive distribution valve and one-piece housing dramatically reduce air consumption. You can operate more tools from a single compressor.

### Two-Year Limited Warranty

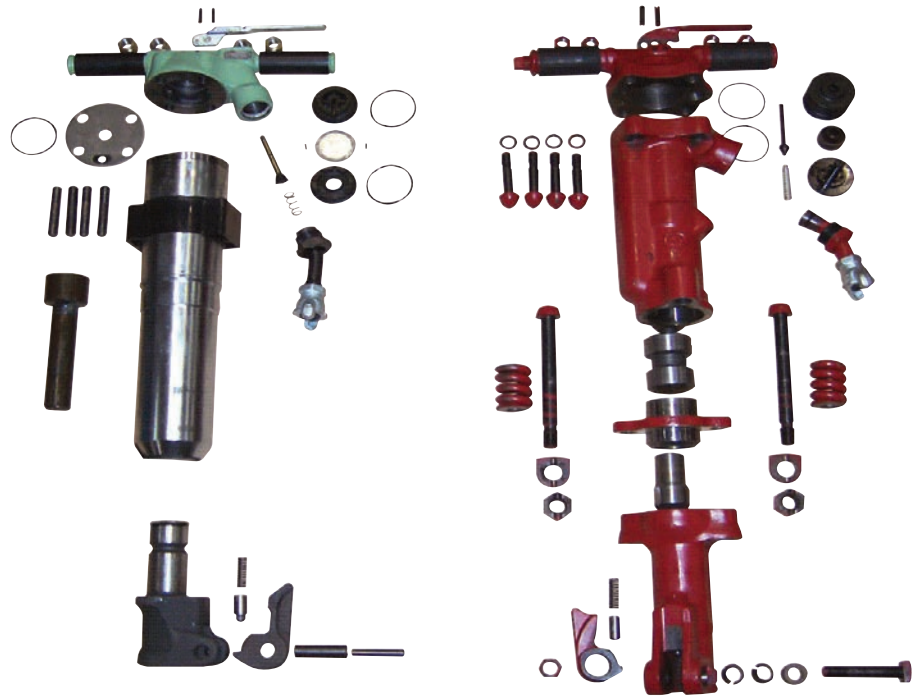
All Sullair breaker parts are warranted for two-years against manufacturing defects. Additionally, should a part wear out during normal operation, it is covered by the Sullair exclusive two-year warranty.



# Pavement Breakers

## Sullair MPB-90A Compared to a Conventional Thor Type Breaker

- 30% less parts than conventional breakers
  - Fewer parts to maintain
  - Less parts to fail
- Direct impact piston
  - No multi-part tappet system like conventional breakers
- One-piece housing
  - Elimination of side rods, nuts and spring valves



## TECHNICAL SPECIFICATIONS

### Standard T-handle Pavement Breaker

Model	Part Number	Chuck Size (in)	Bore & Stroke (in)	Blows per minute	Air Consumption (cfm)	Air Inlet (NPT)	Weight (lbs)	Length (in)
MPB-90A	68253070	1-1/8" x 6"	2-7/16" x 5-9/32"	1380	62	3/4"	92	27-1/2"
	68253071	1-1/4" x 6"	2-7/16" x 5-9/32"	1380	62	3/4"	92	27-1/2"
MPB-60A	68253072	1-1/8" x 6"	2-5/32" x 5-5/32"	1360	48	3/4"	69	26-1/2"
	68253073	1-1/4" x 6"	2-5/32" x 5-5/32"	1360	48	3/4"	69	26-1/2"
MPB-35C	68254092	1" Hex x 4-1/4"	1-3/4" x 5-5/16"	1200	49	3/8"	39	25-1/2"
MPB-30A	68253074	7/8" Hex x 3-1/4"	1-25/32" x 3-25/32"	1850	37	3/8"	35.5	23"
	68253075	1" Hex x 4-1/4"	1-25/32" x 3-25/32"	1850	37	3/8"	35.5	23"

### Super-Silenced, Anti-Freeze T-handle Pavement Breaker

Model	Part Number	Chuck Size (in)	Bore & Stroke (in)	Blows per minute	Air Consumption (cfm)	Air Inlet (NPT)	Weight (lbs)	Length (in)
MPB-90AS	68253080	1-1/8" x 6"	2-7/16" x 5-9/32"	1380	62	3/4"	92	27-1/2"
	68253081	1-1/4" x 6"	2-7/16" x 5-9/32"	1380	62	3/4"	92	27-1/2"
MPB-60AS	68253082	1-1/8" x 6"	2-5/32" x 5-5/32"	1360	48	3/4"	69	26-1/2"
	68253083	1-1/4" x 6"	2-5/32" x 5-5/32"	1360	48	3/4"	69	26-1/2"

### Breaker Accessories

Part Number	Description
<b>WHIP HOSE ASSEMBLY, 8' x 1/2" ID. 300 psi rated hose</b>	
02250152-585	3/8" MNPT air inlet swivel
02250152-584	7/8"-24 male thread inlet swivel x 2-lug universal quick connect
<b>WHIP HOSE ASSEMBLY, 6' x 1/2" ID. 300 psi rated hose (steel hyd. swivel)</b>	
02250176-106	3/8" MNPT steel hydraulic swivel w/ 7/8" bushing x 2-lug universal quick connect
<b>WHIP HOSE ASSEMBLY WITH 1/6 PT OILER, 8' x 1/2" ID. 300 psi rated hose</b>	
02250174-410	3/8" MNPT air inlet swivel x 2-lug universal, w/ oiler (251309)
02250174-411	1/2" MNPT air inlet swivel x 2-lug universal, w/ oiler (251309)



# Chipping Hammers Built to Last

## The Sullair Chipping Hammer is Designed for Rugged Dependability

### Four Bolt Backhead

This unique design reduces handle breakage. The common problem of a threaded handle-to-barrel connection coming loose and damaging the handle and internal parts has been eliminated.

### D-handle

The strong "D" configuration is large enough to allow a comfortable, sure grip, even for a gloved hand.

### Minimal Lubrication Required

Because of the Sullair chipping hammer's unique design and materials, normal oil carryover from the compressor, combined with moisture in the air, will usually provide sufficient lubrication under normal operating conditions.

### Rotatable Exhaust Deflector

A durable molded exhaust deflector directs exhaust air away from the operator.

### Standard Oval Return Retainers

Contractors' choice spring retainer. Round collar retainer style available as an accessory.

### User-Friendly, Screw-On Ball Retainer Option

Offering a quick and easy way to change steel, simply by pulling the retainer back, inserting your steel and releasing to lock the steel in place.

### Choice of Stroke Length and Bushings

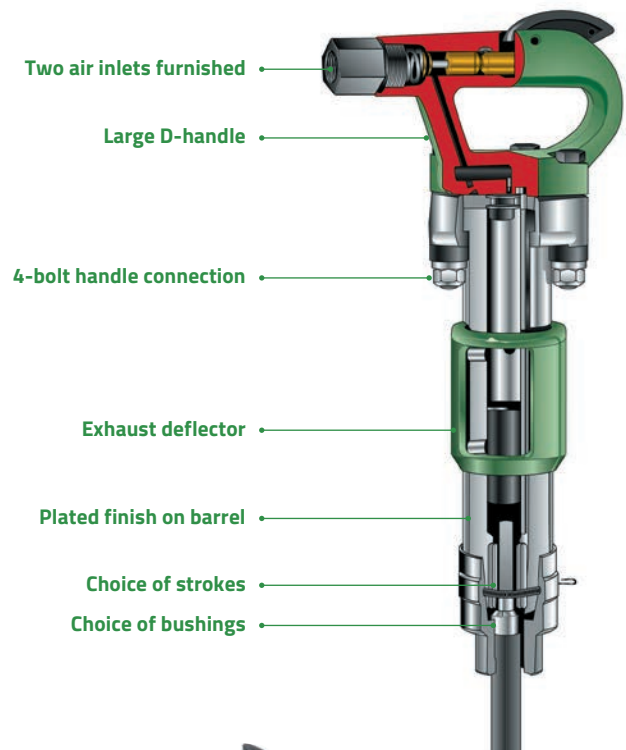
The Sullair chipping hammer is available in 2", 3" and 4" strokes with either .680 round or .580 hex bushings.

### Air Inlet Option

Two air inlet bushings are furnished: 3/8" NPT and 7/8-24, internal thread. The bushings provide for versatile hose connections while protecting the handle inlet threads.

### Two Year Limited Parts Warranty

Sullair provides a limited parts warranty of two-years on the handle and cylinder and one-year on all other parts except the retainer and retainer springs.



## TECHNICAL SPECIFICATIONS

### Chipping Hammer – Standard Oval Return Lock Spring Retainer

Model	Part Number	Chuck Size (in)	Bore & Stroke (in)	Blows per minute	Air Consumption (cfm)	Air Inlet (NPT)	Weight (lbs)	Length (in)
MCH-2	68252240-001	.680 round	1-1/8" x 3"	3600	34	3/8" NPT or 7/8"-24	16	14"
	68252243-001	.580 hex	1-1/8" x 3"	3600	34	3/8" NPT or 7/8"-24	16	14"
MCH-3	68252241-001	.680 round	1-1/8" x 3-3/4"	2280	33	3/8" NPT or 7/8"-24	18	15-1/4"
	68252244-001	.580 hex	1-1/8" x 3-3/4"	2280	33	3/8" NPT or 7/8"-24	18	15-1/4"
MCH-4	68252242-001	.680 round	1-1/8" x 4-1/4"	1800	30	3/8" NPT or 7/8"-24	18	16-1/2"
	68252245-001	.580 hex	1-1/8" x 4-1/4"	1800	30	3/8" NPT or 7/8"-24	18	16-1/2"

### Chipping Hammer – Screw-On Ball Retainer (No Springs Required)

Model	Part Number	Chuck Size (in)	Bore & Stroke (in)	Blows per minute	Air Consumption (cfm)	Air Inlet (NPT)	Weight (lbs)	Length (in)
MCH-3S	68252247-004	.680 round	1-1/8" x 3-3/4"	2280	33	3/8" NPT or 7/8"-24	18	15-1/4"
	68252250-004	.580 hex	1-1/8" x 3-3/4"	2280	33	3/8" NPT or 7/8"-24	18	15-1/4"
MCH-4S	68252248-004	.680 round	1-1/8" x 4-1/4"	1800	30	3/8" NPT or 7/8"-24	18	16-1/2"
	68252251-004	.580 hex	1-1/8" x 4-1/4"	1800	30	3/8" NPT or 7/8"-24	18	16-1/2"

### Chipping Hammer – Retainers and Accessories

Part Number	Description
<b>REPLACEMENT RETAINERS AND LOCK SPRINGS</b>	
68722235	Retainer, for oval collar steel–chrome finish–standard
250012-526	Retainer, for round collar steel w/bumper
250018-894	Rubber bumper replacement for round collar retainer
250021-222	Retainer, universal ball type (spring)
250012-530	Lock Spring, heavy duty
250013-916	Lock Spring, plastic
68780341	Retainer, universal ball type (screw-on)
<b>WHIP HOSE ASSEMBLIES, 8' x 1/2" ID. 300 psi rated hose</b>	
02250152-585	3/8" MNPT air inlet swivel
02250152-584	7/8"-24 male thread inlet swivel x 2-lug universal quick connect
<b>WHIP HOSE WITH SWING COUPLING, 8' x 1/2" ID hose w 1' whip</b>	
02250139-711	7/8"-24 male thread air inlet with swing coupling x 2-lug universal quick connect
02250139-712	3/8" MNPT air inlet with swing coupling x 2-lug universal quick connect

# Drills Designed for Performance and Operator Protection

## Dead Man Safety Handle

Sullair drills are designed so that the tool automatically stops operating when the operator releases the throttle lever.

## One Control for Drilling and Blowing

The single throttle lever controls all tool functions from off, to blowing only, to progressive drilling speeds.

## Variable Throttle Control

Allows step less speed control for maximum drilling production.

## Continuous Hole Cleaning

Blowing air is directed through the drill rod at all drilling speeds to clear debris from the hole.

## Direct Rotation of the Piston

This feature reduces torque loss and eliminates wearing parts, such as the rifle bar assembly.

## Less Maintenance

The unique design of Sullair drills eliminates many high wear parts. This means less loss of power due to wear, less downtime to replace worn parts and lower overall maintenance costs.

## Minimal Lubrication Required

With only two parts moving during operation, a non-corrosive distribution valve, less radial piston movement and high tech alloys, Sullair drills do not require special rock drill oil. Normal oil carryover from the compressor, combined with moisture in the air, will usually provide sufficient lubrication under normal operating conditions.

## Oil Reservoir

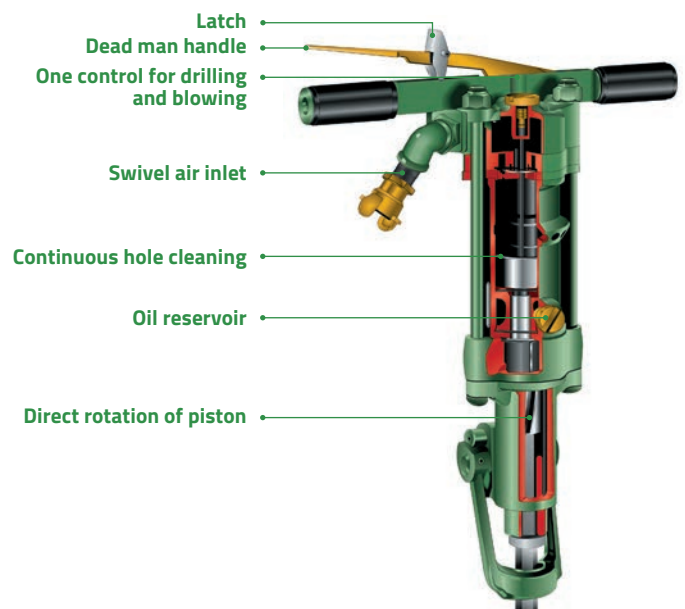
A built-in oil reservoir assures direct lubrication to rotating parts. Use of standard 90 to 140-weight gear lubricant extends the life of critical parts.

## Simplified Ratchet Design

The M-Series Rock Drills are designed to eliminate conventional spring ratchet systems by spreading the torque over four check pawls increasing durability.

## One-Year Parts Warranty

This Sullair warranty covers all drill parts against normal wear and manufacturing defects for one-year.





## TECHNICAL SPECIFICATIONS

### Drilling Hammers

Model	Part Number	Chuck Size (in)	Bore & Stroke (in)	Blows per minute	Air Consumption (cfm)	Air Inlet (NPT)	Weight (lbs)	Length (in)
MRD-9	68252232	3/4" Round x 3-3/4"	1-1/32" x 1-3/8"	2800	21	3/8"	9	15-1/8"
MRD-30	68252230	7/8" x 3-1/4"	2-9/32" x 1-3/4"	2300	53	3/4"	34	21"
	68253073	7/8" x 4-1/4"	2-9/32" x 1-3/4"	2300	53	3/4"	34	21"
MRD-40	68252227	7/8" x 3-1/4"	2-11/16" x 2-3/8"	1800	80	3/4"	45.5	23-1/8"
	68252228	7/8" x 4-1/4"	2-11/16" x 2-3/8"	1800	80	3/4"	45.5	23-1/8"
	68252229	1" x 4-1/4"	2-11/16" x 2-3/8"	1800	80	3/4"	45.5	23-1/8"
MRD-50	68252224	7/8" x 3-1/4"	3" x 2-5/8"	1800	99	3/4"	48.5	23-1/4"
	68252225	7/8" x 4-1/4"	3" x 2-5/8"	1800	99	3/4"	48.5	23-1/4"
	68252226	1" x 4-1/4"	3" x 2-5/8"	1800	99	3/4"	48.5	23-1/4"

### MRD-9 Accessories

Part Number	Description
<b>WHIP HOSE ASSEMBLIES, 8' x 1/2" ID. 300 psi rated hose</b>	
02250152-585	3/8" MNPT air inlet swivel
<b>WHIP HOSE WITH SWING COUPLING, 8' x 1/2" ID hose w 1' whip</b>	
02250139-712	3/8" MNPT air inlet with swing coupling x 2-lug universal quick connect

### MRD-30, MRD-40 & MRD-50 Accessories

Part Number	Description
<b>WHIP HOSE WITH SWING COUPLING, 8' x 1/2" ID hose w 1' whip</b>	
02250139-714	2-lug universal air inlet with swing coupling x 2-lug universal quick connect



# Rivet Busters

## The Power for Cutting Off Large Rivet Heads, Heavy Duty Chipping and Concrete Breaking

### Applications Include:

- Bridge jobs
- Steel structure maintenance
- Railroad car repair
- Shipyards
- Petrochemical plants
- Demolition work

### D-handle with Inside Trigger

Handle design provides comfort and control to the operator in demolition applications.

### Variable Throttle Control

Allows variable speed control for maximum production.

### Muffler and Screened Inlet Bushing Standard

Provides quieter operation and filters the inlet from contaminating particles.

### Interchangeable Parts Provide Flexibility

Interchangeable parts (except cylinder) reduce inventory and increase parts versatility.

### Simplified Control Valve

Allows for smoother operation in dirty conditions through precisely engineered tolerances.

### Lubrication

Rivet Busters require inline lubrication.

### 90-Day Parts Warranty

This Sullair warranty covers all tool parts against manufacturing defects.



## TECHNICAL SPECIFICATIONS

### Rivet Busters

Model	Part Number	Chuck Size (in)	Bore & Stroke (in)	Blows per minute	Air Consumption (cfm)	Air Inlet (NPT)	Weight (lbs)	Length (in)
MRB-8	02250094-894	11 x Jumbo	1-3/16" x 8"	1140	44	1/2" NPT	30	22-1/2"
MRB-11	02250094-895	11 x Jumbo	1-3/16" x 11"	850	50	1/2" NPT	33	25-1/2"

### Rivet Busters – Retainers and Accessories

Part Number	Description
02250166-693	Rivet Buster Lower End Kit
250035-776	Retainer
250029-072	Upper Sleeve 11X
250013-625	Lower Sleeve 11X
250013-626	Bumper
250013-594	Retainer spring
<b>WHIP HOSE ASSEMBLY WITH 1/6 PT OILER, 8' x 1/2" ID. 300 psi rated hose</b>	
02250174-411	1/2" MNPT air inlet swivel x 2-lug universal, w/ oiler (251309)

# MDT-22 and MDT-30 Demolition Tools

## Two Bolt Backhead

This unique design reduces handle breakage. The common problem of a threaded handle-to-barrel connection coming loose and damaging the handle and internal parts is therefore eliminated.

## D-handle

The strong "D" configuration is large enough to provide a comfortable, sure grip even for a gloved hand.

## Minimal Lubrication Required

With its unique design and materials, normal oil carryover from the compressor, combined with moisture in the air, will usually provide sufficient lubrication under normal operating conditions.

## Smoother Operation

The Sullair demolition tool's unique design results in greater operator comfort.

## Stroke Length

The piston has been sized relative to the length of the stroke to provide an improved weight/power ratio.

## Air Inlet Option

Two air inlet bushings are furnished: 3/8" NPT and 7/8"-24, internal thread. The bushings provide for versatile hose connections while protecting the handle inlet threads.

## Rotatable Exhaust Deflector

Directs exhaust air away from the operator and provides a comfortable grip. It also greatly decreases the sound level of the tool.



**MDT-22**

The MDT-22 has quick change latch retainer and utilizes standard 7/8" x 3 1/4" hex steel. Two-year warranty.



**MDT-30**

The MDT-30 has reliable screw-on retainer (no springs) and utilizes standard 11 x Jumbo rivet buster steel, sleeves and bumpers. One-year warranty, excluding wear items, sleeves and bumpers.

## TECHNICAL SPECIFICATIONS

### Demolition Tools

Model	Part Number	Chuck Size (in)	Retainer	Bore & Stroke (in)	Blows per minute	Air Consumption (cfm)	Air Inlet (NPT)	Weight (lbs)	Length (in)
MDT-22	68255010	7/8" Hex x 3-1/4"	Latch	1-1/2" x 4-1/2"	1450	33	3/8" NPT or 7/8"-24	24	20"
MDT-30	68255011	11 x Jumbo	Screw-on	1-3/8" x 7-3/8"	1080	37	3/8" NPT or 7/8"-24	33	24-1/2"

# Backfill Tamper

The Sullair MBT-6 Backfill Tamper Gives You All the Power for Compacting at a Speed Which Allows Comfortable Control

## Applications

The Sullair MBT-6 backfill tamper is the ideal tool for compacting backfill around utility poles, foundations and other structures. It quickly and efficiently compacts backfill soil excavated to perform service line repair before patching the pavement.

## Rotatable Exhaust Deflector

A durable molded exhaust deflector aims the exhaust away from the operator.

## Standard Steel 6" Butt

A 6" diameter solid steel butt is standard. Optional butts for special applications are available. The butt is held onto the piston rod with a hex head clamp screw for ease of assembly and removal.

## Smooth Finish

Plated barrel promotes easy clean-off of backfill materials.

## Minimal Lubrication Required

With the design features and premium materials of the MBT-6, normal oil carryover from the compressor, combined with the moisture in the air, will supply sufficient lubrication under normal operating conditions.

## No Packing Adjustment

There is no packing adjustment necessary for the Sullair MBT-6. The double seals retain their effectiveness for the life of the packing.

## One-Year Limited Warranty



## TECHNICAL SPECIFICATIONS

### Backfill Tamper

Model	Part Number	Butt End Dia	Bore & Stroke (in)	Blows per minute	Air Consumption (cfm)	Air Inlet (NPT)	Weight (lbs)	Length (in)
MBT-6	02250053-832	6" Steel Butt End	1-1/2" x 5-1/2"	500	32	3/8" NPT or 7/8"-24	40.5	48-3/4"

### Backfill Tamper - Optional Butt Ends and Accessories

Part Number	Description
68722625	6" Dia. Butt-Steel
250034-467	Half-Moon Pole Butt-Malleable Iron
250034-783	6" Dia. Butt-Malleable Iron
250034-784	4" Dia. Butt-Aluminum
250034-785	3" Dia. Butt-Aluminum
250035-320	5" Dia. Butt-Neoprene
250012-703	Screw, Taper
<b>WHIP HOSE ASSEMBLIES, 8' x 1/2" ID. 300 psi rated hose</b>	
02250152-585	3/8" MNPT air inlet swivel
02250152-584	7/8"-24 male thread inlet swivel x 2-lug universal quick connect
<b>WHIP HOSE WITH SWING COUPLING, 8' x 1/2" ID hose w 1' whip</b>	
02250139-711	7/8"-24 male thread air inlet with swing coupling x 2-lug universal quick connect
02250139-712	3/8" MNPT air inlet with swing coupling x 2-lug universal quick connect



Backfill Tamper Butts, like all Sullair accessories, are made specifically for Sullair tools, so proper fit and performance are assured. Our selection includes:

- (1) 6" Malleable Iron, (2) 6" Steel Butt (standard), (3) 4" Aluminum Butt, (4) Pole Butt Half Moon and (5) 3" Aluminum Butt.

# Genuine Accessories and Swing Valves

## Sullair Swing Valve Couplings Provide

- Safe and easy air shut-off at the tool
- No need to turn off the compressor
- Safely bleeds the air from the tool
- Saves time, saves money

## Easy Tool Changes

- Change the tool quickly
- Change the steels safely
- Prevents accidental firing of tool

## Full Flow to Tool

- Full throat valve, no flow restriction
- Smooth bore no pressure loss in valve

## Complete Eight Foot Whip Hose Comes with One Optional Tool Connector

- 7/8" x 24 Male fine thread
- 1/2" MNPT Male thread
- 3/8" MNPT Male thread
- 2-lug universal coupling
- Entire whip is complete with swing valve and 2-lug connector

## Quick and Sure Connections

- Connect and disconnect under pressure
- No extra effort against line pressure
- Locking sleeve prevents accidental on/off
- When in "locked off" position, tool hose is vented. **#1**
- Full flow when in "locked on" position. **#2**



If you're using Sullair tools, get the performance you paid for.  
Use only genuine Sullair accessories.



# Pneumatic Tool Accessories

## Line Oiler and In-Line Filter

Part Number	Description
251309	1/6 Pint capacity (1/2" FNPT-Pressure Feed)
251310	1/3 Pint capacity (3/4" FNPT-Pressure Feed)
251311	1/2 Pint capacity (3/4" FNPT-Pressure Feed)
251312	1/2 Pint capacity (1" FNPT-Pressure Feed)
251313	1 Pint capacity (1" FNPT-Pressure Feed)
251314	1/2 Pint capacity (1" FNPT-Constant Feed)
251315	1 Pint capacity (1" FNPT-Constant Feed)
02250138-177	In-line hose filter (1/2" FNPT)

## Tool Stand

02250114-793	Tool Stand, 3 tool
--------------	--------------------

## Butts for MBT-6 Backfill Tamper

68722625	6" Dia. Butt—Steel
250034-467	Half-Moon Pole Butt—Malleable Iron
250034-783	6" Dia. Butt—Malleable Iron
250034-784	4" Dia. Butt—Aluminum
250034-785	3" Dia. Butt—Aluminum
250035-320	5" Dia. Butt—Neoprene
250012-703	Screw, Taper

## Air Inlet Swivels for Chippers, Tampers

250012-531	7/8"-24 thread—1/2" hose barb
250012-532	3/8" NPT—1/2" hose barb
250012-533	1/2" NPT—1/2" hose barb

## Retainers and Accessories for Chipping Hammers

68722235	Retainer, for oval collar steel—chrome finish
250012-526	Retainer, for round collar steel w/ bumper
250018-984	Rubber bumper replacement for round collar retainer
250021-222	Retainer, universal ball type (spring)
250012-530	Lock Spring, heavy duty
250013-916	Lock Spring, plastic
68780341	Retainer, universal ball type (screw-on)

## Retainers and Accessories for Rivet Busters

250035-776	Retainer
250029-072	Upper Sleeve 11X
250013-625	Lower Sleeve 11X
250013-626	Bumper
250013-594	Retainer spring
02250166-693	Kit, Rivet Buster Lower End

## Air Hose, Couplings, Fittings and Accessories, 300psi Rated Hose

Part Number	Description
02250152-581	50' 2-lug universal quick connect at both ends
02250152-583	100' 2-lug universal quick connect at both ends

## Whip Hose Assemblies, 8' x 1/2" ID. 300 psi Rated Hose

02250152-585	3/8" MNPT air inlet swivel
02250152-586	1/2" MNPT air inlet swivel x 2-lug universal quick connect
02250152-584	7/8"-24 male thread inlet swivel x 2-lug universal quick connect

## Whip Hose Assemblies, 6' x 1/2" ID. 300 psi rated hose (steel hyd. Swivel)

02250176-106	3/8" MNPT steel hydraulic swivel w/ 7/8" bushing x 2-lug universal quick connect
--------------	--

## Whip Hose Assembly with 1/6 pt Oiler, 8' x 1/2" ID. 300 psi rated hose

02250174-410	3/8" MNPT air inlet swivel x 2-lug universal, w/ oiler (251309)
02250174-411	1/2" MNPT air inlet swivel x 2-lug universal, w/ oiler (251309)
02250174-412	7/8"-24 male thread inlet swivel x 2-lug universal, w/ oiler (251309)

## Whip Hose with Swing Coupling, 8' x 1/2" ID hose w 1' whip

02250139-711	7/8"-24 male thread air inlet with swing coupling x 2-lug universal quick connect
02250139-712	3/8" MNPT air inlet with swing coupling x 2-lug universal quick connect
02250139-713	1/2" MNPT air inlet with swing coupling x 2-lug universal quick connect
02250139-714	2-lug universal air inlet with swing coupling x 2-lug universal quick connect

## Additional 1' Whip Hose for Above Swing Couplings

02250139-707	7/8"-24 fitting and valve plug
02250139-709	1/2" MNPT fitting and valve plug
02250139-710	2-lug fitting and valve plug

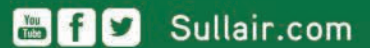
## Bulk Hose on Reel

02250152-580	3/4" x 400' Sullair Green Hose - 300 psi
--------------	--

## Hose Fittings, Clamps and Repair Kits

250031-649	1/2" Hose barb, 2-lug universal quick connect
250031-650	3/4" Hose barb, 2-lug universal quick connect
250031-654	3/4" Hose barb, 2-bolt style clamp
02250113-961	Coupling, 2-lug universal quick connect—3/8" MNPT
02250140-797	Coupling, 2-lug universal quick connect—3/8" FNPT
02250126-794	Coupling, 2-lug universal quick connect—1/2" MNPT
040383	Coupling, 2-lug universal quick connect—3/4" FNPT
250031-648	Coupling, 2-lug universal quick connect—3/4" MNPT
250015-228	Gasket, rubber—for 2-lug universal coupling (package of 50) sold per pkg
250031-659	Clip, hose coupling, safety (package of 25) sold per pkg
02250119-544	HOSE REPAIR KIT (includes following): 50 ea. 1/2" hose clamp, 40 ea. 3/4" hose clamp, 6 ea. 1/2" hose mender, 6 ea. 3/4" hose mender, and 1 ea. Toll pincher long handle
02250119-543	Hose clamp pincher tool (long handle)
02250119-541	1/2" Hose mender (tube)
02250119-542	3/4" Hose mender (tube)
02250119-863	3/4" Hose clamp (package of 100)

CONTACT YOUR  **SULLAIR** DISTRIBUTOR TODAY



a division of Accudyne Industries

© 2016 Sullair, LLC. All rights reserved. Specifications subject to change without notice.  
PUB# PAPT00LS201604-1